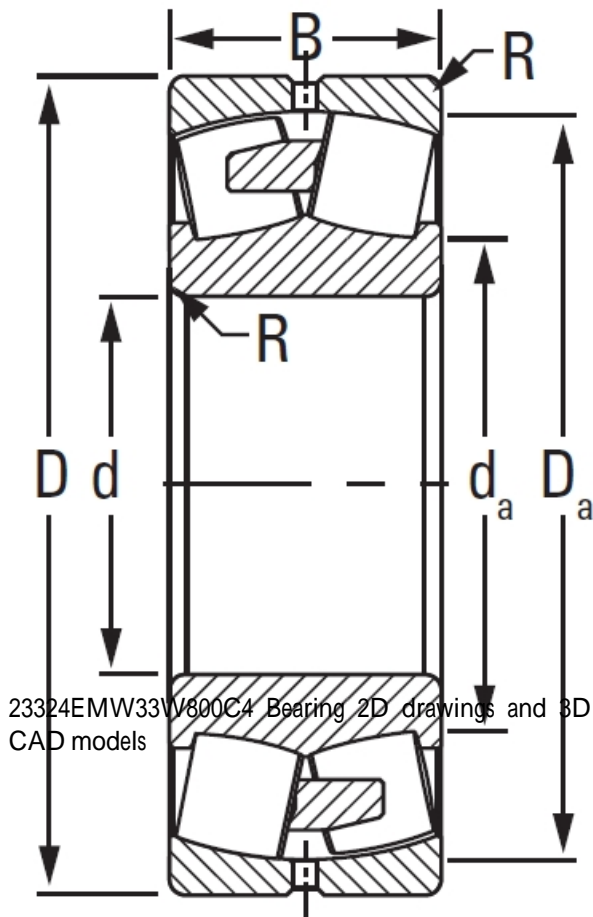




# BEARING CORP. OF AMERICA

## TIMKEN 23324EMW33W800C4 Bearing

Bearing No. 23324EMW33W800C4



23324EMW33W800C4 Bearing 2D drawings and 3D CAD models

Design Unit	METRIC
Bearing Weight	27.80 Kg
Cage Type	EM
UPC Code	087796031890
Cage Material	Brass
Superseded Part	23324YMW33W800C4
d	120 mm
D	259.993 mm
B - Inner Ring Width	106 mm
B - Outer Ring Width	106.000 mm
R - Inner Ring To Clear Radius <sup>1</sup>	2.500 mm
r - Outer Ring To Clear Radius <sup>2</sup>	2.500 mm
da - Inner Ring Backing Diameter	147.000 mm
Da - Outer Ring Backing Diameter	226.0 mm
C0 - Static Radial Rating	1410000 N
C1(2) - Dynamic Radial Rating (Two-Rows)	1230000 N
e - ISO Factor <sup>3</sup>	0.43
Y0 - ISO Factor <sup>4</sup>	1.57
Y1 - ISO Factor <sup>5</sup>	2.34
Y2 - ISO Factor <sup>6</sup>	1.54
Reference Thermal Speed Rating (Grease)	1400
Reference Thermal Speed	1500



# BEARING CORP.OF AMERICA

Rating (Oil) <sup>7</sup>	
Cg - Geometry Factor <sup>8</sup>	0.0819