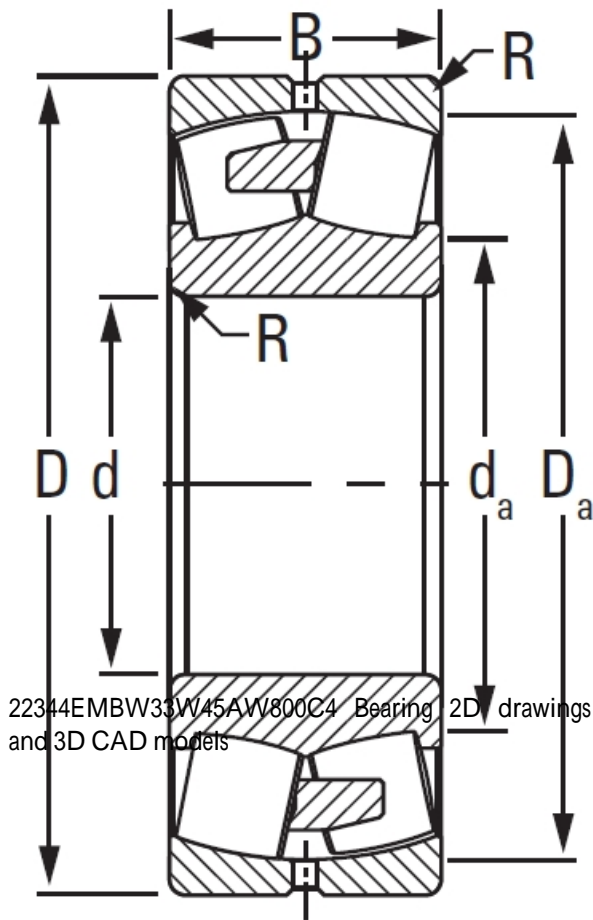




BEARING CORP. OF AMERICA

TIMKEN 22344EMBW33W45AW800C4 Bearing

Bearing No. 22344EMBW33W45AW800C4



22344EMBW33W45AW800C4 Bearing 2D drawings and 3D CAD models

Design Unit	METRIC
Bearing Weight	118.500 Kg
Cage Type	EMB
UPC Code	087796360877
Cage Material	Brass
Superseded Part	22344YMBW33W45AW800C4
d	220 mm
D	460.000 mm
B - Inner Ring Width	145 mm
B - Outer Ring Width	145.000 mm
R - Inner Ring To Clear Radius ¹	4.000 mm
r - Outer Ring To Clear Radius ²	4.000 mm
da - Inner Ring Backing Diameter	273.000 mm
Da - Outer Ring Backing Diameter	404.000 mm
C0 - Static Radial Rating	3240000 N
C1(2) - Dynamic Radial Rating (Two-Rows)	2740000 N
e - ISO Factor ³	0.32
Y0 - ISO Factor ⁴	2.08
Y1 - ISO Factor ⁵	3.1
Y2 - ISO Factor ⁶	2.04
Reference Thermal Speed Rating (Grease)	940



BEARING CORP.OF AMERICA

Reference Thermal Speed Rating (Oil) ⁷	1100
Cg - Geometry Factor ⁸	0.1096