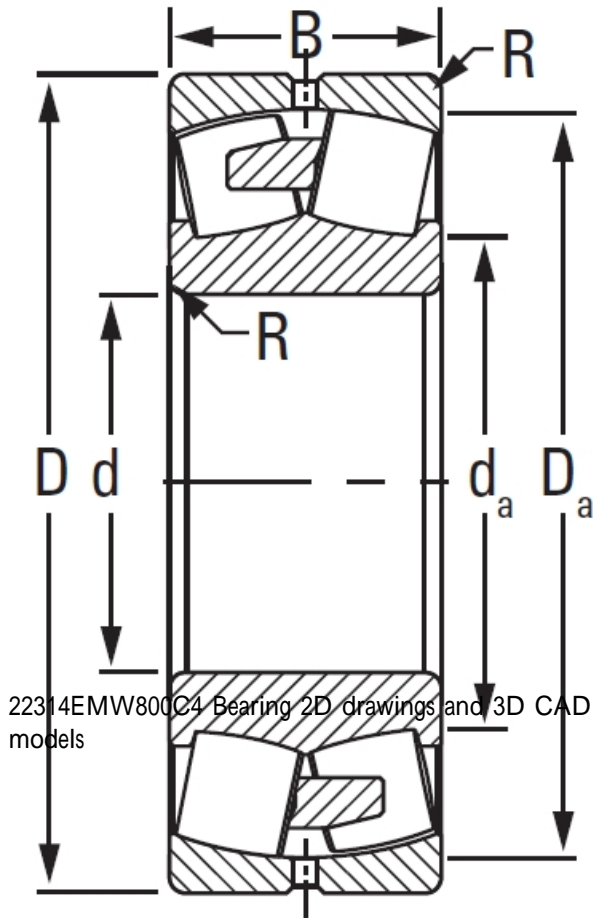




BEARING CORP. OF AMERICA

TIMKEN 22314EMW800C4 Bearing

Bearing No. 22314EMW800C4



Design Unit	METRIC
Bearing Weight	4.4 Kg
Cage Type	EM
UPC Code	087796026384
Cage Material	Brass
Superseded Part	22314YMW800C4
d	70 mm
D	149.993 mm
B - Inner Ring Width	51 mm
B - Outer Ring Width	51.000 mm
R - Inner Ring To Clear Radius ¹	2.0 mm
r - Outer Ring To Clear Radius ²	2.0 mm
da - Inner Ring Backing Diameter	91.000 mm
Da - Outer Ring Backing Diameter	135.000 mm
C0 - Static Radial Rating	414000 N
C1(2) - Dynamic Radial Rating (Two-Rows)	395000 N
e - ISO Factor ³	0.33
Y0 - ISO Factor ⁴	2.07
Y1 - ISO Factor ⁵	3.08
Y2 - ISO Factor ⁶	2.02
Reference Thermal Speed Rating (Grease)	3600
Reference Thermal Speed	4200



BEARING CORP. OF AMERICA

Rating (Oil) ⁷	
Cg - Geometry Factor ⁸	0.0589